

BESPOKE
®

BESPOKE BATHWARE
FLOOR WASTE INSTALLATION GUIDE

FLOOR WASTES

Thank you for choosing our Bespoke Bathware Tile or Heel Guard floor waste.

Please find below the recommended installation instructions:

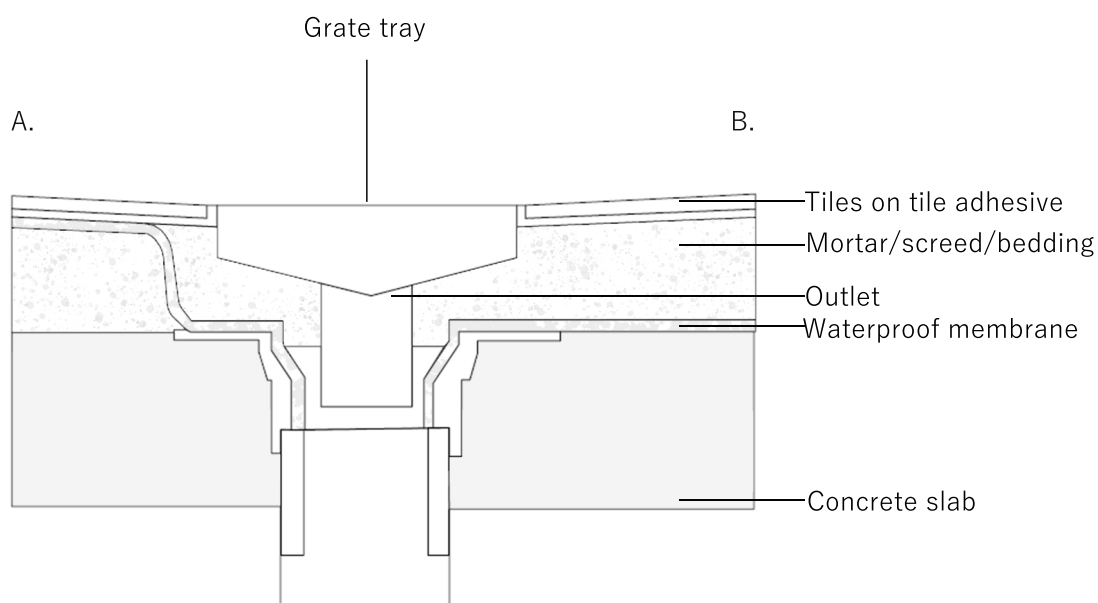
All Bespoke Bathware wastes are customized to order. The dimensions and outlet locations of the waste are specified by the installer prior to manufacturing.

1. Please refer to diagrams 1 and 2 on pages 4 and 5 as a guide for the installation requirements based on your flooring layout.
2. Test fit the floor waste into the opening to ensure the drainage outlet is correctly positioned.
3. Ensure the floor waste is installed level to facilitate adequate drainage. Ensure the drainage valley and dimples are free of debris and test the water flow before inserting the tile or grate cover. Avoid using acidic liquids for cleaning tiles or glass, and ensure no residue is left on the product surface.
4. When positioning the floor waste, adhere to all Australian standards, guidelines, and plumbing code regulations.

Any drainage or manufacturing issues must be reported during installation. Please note that all warranty replacements cover product replacements only and do not include installation.

***NOTE** - The maximum live loading bearing capacity for both brass and stainless floor wastes is 103kg.

Concrete Floor Installation

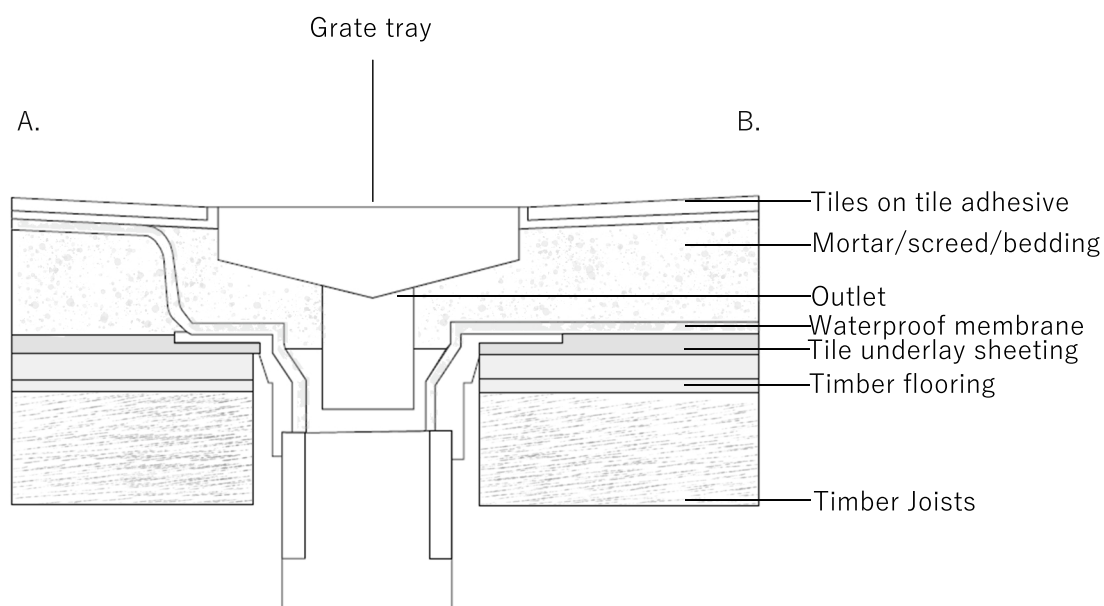


A. NOTE
Installation where
water-proof membrane
is ABOVE the screed

B. Installation where
water-proof membrane
is BELOW the screed

This installation applies to
the following products
XTIBR-XXX,
XTIBA-XXX,
XGHBR-XXX,
XGHBA-XXX

Timber Joist Floor Installation



A. NOTE
Installation where
water-proof membrane
is ABOVE the screed

B. Installation where
water-proof membrane
is BELOW the screed

This installation applies to
the following products:
XTIBR-XXX,
XTIBA-XXX,
XGHBR-XXX,
XGHBA-XXX

BESPOKE B

Bespoke Contact

Phone

0410 035 607

Email

sales@bespokebathware.com.au

Visit us

Studio 2, 175 Cleveland Street,
REDFERN NSW 2016

* By appointment only

Manufacturing

14 Yatala Road,
MOUNT KURING-GAI NSW 2080



PRICE LIST 2024

ALL PRICES LISTED ARE
RRP INC GST