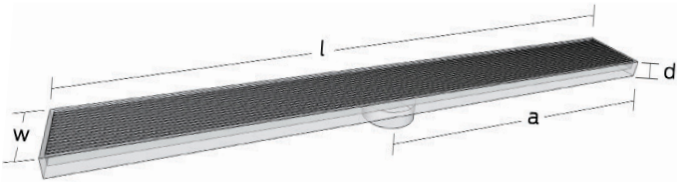
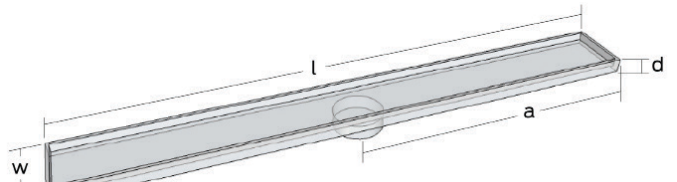


PROJECT GRATE ORDER FORM



BATHWARE

HEEL GUARD	TILE INSERT
	
Depth 'd' 23mm	Depth 'd' 25mm Tile Tray Depth 12mm
Width 'w' 100mm	Width 'w' 102mm
Length 'l' <input type="text"/>	Length 'l' <input type="text"/>
Outlet Position 'a' <input type="text"/>	Outlet Position 'a' <input type="text"/>
Outlet Size 88mm <input type="checkbox"/> 76mm <input type="checkbox"/> 51mm <input type="checkbox"/> 38mm <input type="checkbox"/> NB: 88mm required for new plumbing work	Outlet Size 88mm <input type="checkbox"/> 76mm <input type="checkbox"/> 51mm <input type="checkbox"/> 38mm <input type="checkbox"/> NB: 88mm required for new plumbing work
Matching 120x120mm Heel Guard Waste (80mm outlet only) Qty <input type="text"/>	Matching 120x120mm Tile Insert Waste (80mm outlet only) Qty <input type="text"/>

DATE

/ /

EMAIL

NAME

ORDER NO.

COMPANY

SIGNATURE

 BESPOKE

25 YEAR WARRANTY*

for more information please see our website
<https://www.bespokebathware.com.au>

*CONDITIONS APPLY