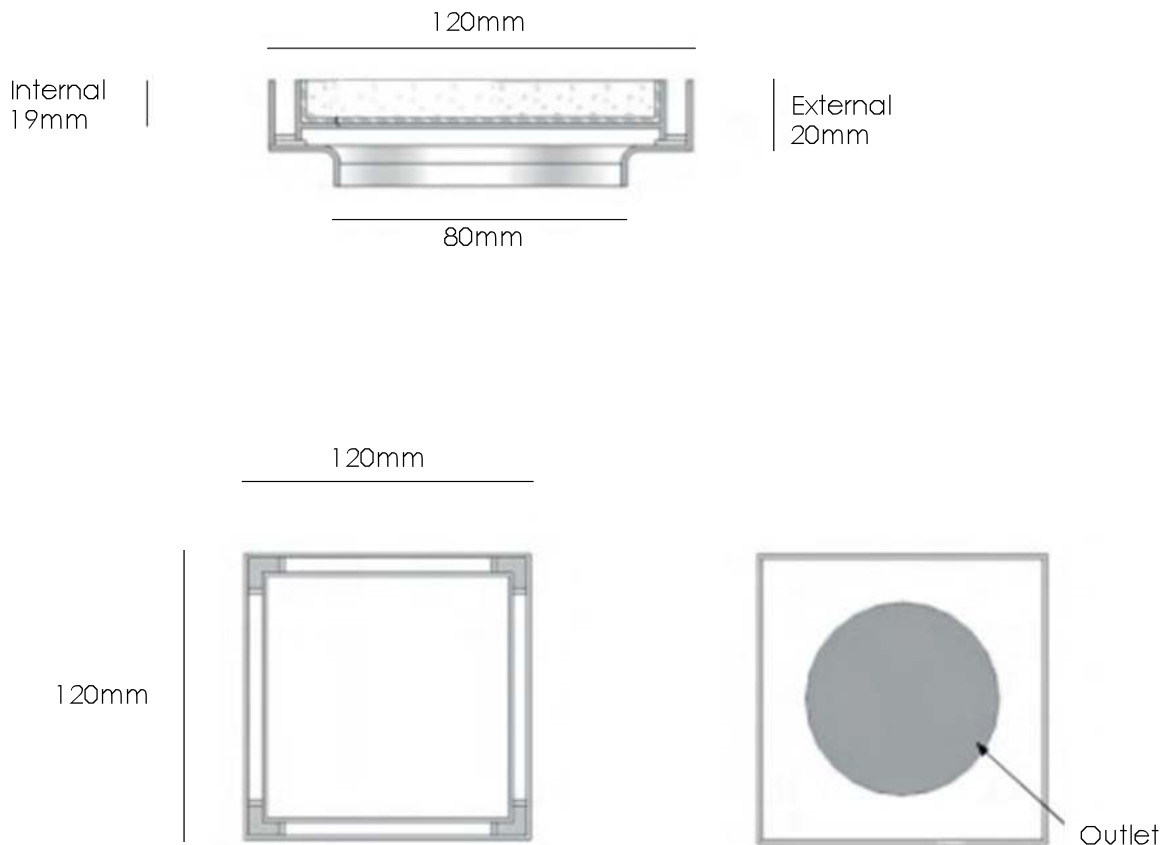


316 Stainless Steel & LMA 120x120 Tile Insert Square Waste

Specification Sheet



Tile Insert Floor Grate 120x120

XTI-120x120 Stainless Steel
XTI-120x120-LMA Liquid Metal
Adhesion

Standard Outlet Size
80mm

To order, please complete the order form with all relevant information and submit to your chosen retailer and orders@bespokebathware.com.au